

TFI BH-800III Mud Pump

TFI BH-800III mud pumps are designed and manufactured according to API 7K.

1. Specifications

Max. Input Power:	800 HP
Rated Pump Speed:	160 SPM
Stroke Length:	8-1/2"
Gear Ratio:	4:1
Pinion Shaft Diameter:	5-1/2"
Suction Inlet:	8"
Discharge Outlet:	4"
Valve and Valve Seat Model:	API No.7
Weight:	22,000 lbs
Length:	145.67"
Width:	98.40"
Height:	88.50"

BH-800III Mud Pump Sizes and Ratings

Stroke (SPM)	Power HP	Liner Dia. & Pressure Mpa (PSI)						
		7 in.	6-1/2 in.	6 in.	5-1/2 in.	5 in.	4-1/2 in.	4 in.
		12.4	14.4	16.9	20.1	24.3	30.0	35
		1,771	2,057	2,414	2,871	3,471	4,286	5,000
		Displacement GPM (LPM)						
175	880	743 (2,814.0)	640 (2,425.8)	546 (2,068.8)	460 (1,743.0)	380 (1,438.8)	308 (1,165.8)	245 (929.4)
160	805	679 (2,572.8)	585 (2,217.6)	499 (1,891.2)	421 (1,593.6)	347 (1,315.2)	281 (1,065.6)	224 (849.6)
150	755	637 (2,412.0)	549 (2,079.0)	468 (1,773.0)	394 (1,494.0)	325 (1,233.0)	264 (999.0)	210 (796.8)
140	705	594 (2,251.2)	512 (1,940.4)	437 (1,654.8)	368 (1,394.4)	304 (1,150.8)	246 (932.4)	196 (743.4)
130	654	615 (2,330.4)	476 (1,801.8)	406 (1,536.6)	342 (1,294.8)	282 (1,068.6)	229 (865.8)	181 (686.4)
120	604	509 (1,929.6)	439 (1,663.2)	374 (1,418.4)	316 (1,195.2)	260 (986.4)	211 (799.2)	167 (633.6)
110	554	467 (1,768.8)	403 (1,525.2)	343 (1,300.2)	298 (1,095.6)	239 (904.2)	193 (732.6)	153 (580.8)
1		4.25 (16.08)	3.7 (13.86)	3.12 (11.82)	2.63 (9.96)	2.17 (8.22)	1.76 (6.66)	1.39 (5.28)

Note: Mechanical Efficiency 90%; Volumetric Efficiency 100%

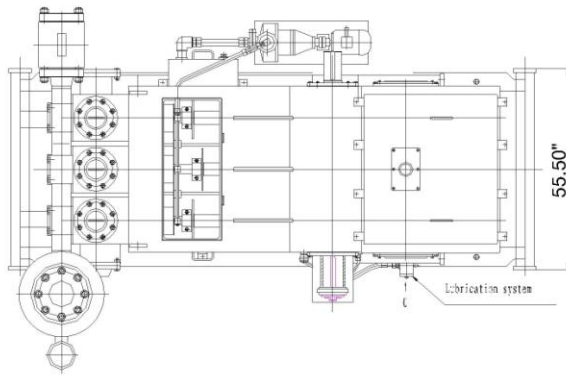
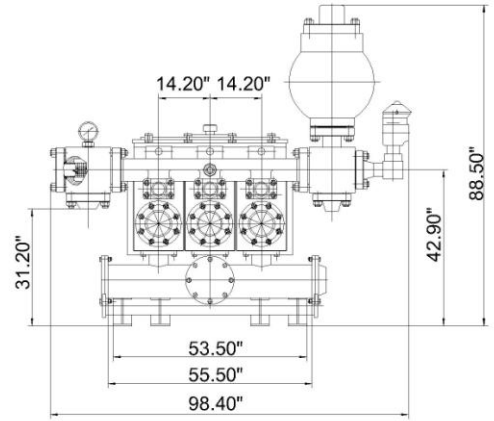
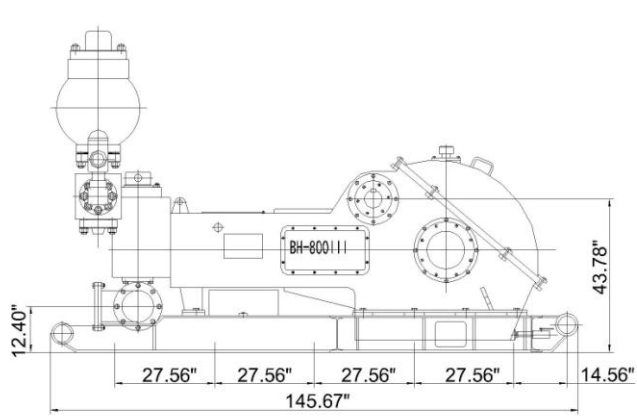
2. Key Features

- A. Every mud pump is fabricated with a high strength, stress relieved steel frame;
- B. Alloy steel crankshaft with high loading capacity;
- C. Forged cross head pin;
- D. Gear set is forged and experienced special heat treatment;
- E. Cast alloy connecting rod and cross head;
- F. Crankshaft and pinion shaft are supported by wear-resistant precise machined roller bearings;
- G. TFI can provide complete pump packages, including prime movers, controls, manifolds, piping, and accessories;
- H. Forced and splash lubrication for power end and fluid end;
- I. Fluid modules are forged alloy and experienced special heat treatment;
- J. TFI mud pumps are rated for 24 hour-a-day continuous duty;
- K. Complete range of replacement parts is available in our service facility at Brookshire, TX.;

3. Scope of Supply

- A. BH-800III Mud Pump × 1 set;
- B. Pistons and Liners × 3 sets;
- C. Accessory Manifold × 1 set;
- D. KB45 Pulsation Dampener × 1 set;
- E. Discharge Assembly and Strainer Block × 1 set;
- F. Shear Relief Valve × 1 set;
- G. Liner Wash System × 1 set;
- H. Fittings × 1 set;
- I. Operation manuals, Parts List and Certificates × 1 set;
- J. Optional-Recommended Spare Parts;

4. Overall Dimension Schematic
(Measurements are in inches)



5. Recommended Spares List

No.	Model No.	Description	Qty.	Remark
1	JB/ZQ4265-86	D90 YX Seal Ring	6	For extension rod
2	R39	Gasket Ring	5	For discharge manifold
3	R35	Gasket Ring	3	For pulsation dampener manifold
4	NB-02Y-10	Liner Seal	3	
5	NB-02Y-13	Liner Seal	3	
6	NB-02Y-18	Valve Spring	6	
7	NB-02Y-20	O-Ring	3	For discharge pipe
8	NB-02Y-28	O-Ring	3	For suction pipe flange
9	GB3452.1-92	O-Ring 47.5 x 3.55	3	For piston rod
10	NB-02-29-09	Bladder	1	In suction
11	45L	Diaphragm	1	In pulsation dampener
12	JA-3	Shear Pin	5	In relief valve
13	JA-3	Bumper	1	In relief valve
14	JA-3	Piston	1	In relief valve
15	NB-02Y-08	Liner	3	As per liner size
16	NB-02Y-09	Piston Assy.	3	As per liner size
17	NB-02Y-17	Valve Assy.	3	
18	NB-02Y-26	Ring, Valve Cover	3	

6. Product Picture

