

TFI F-800 Mud Pump

TFI F-800 mud pumps are designed and manufactured according to API 7K.

1. Specifications

Max. Input Power:	800 HP
Rated Pump Speed:	150 SPM
Max. Fluid Cylinder Liner Bore:	6-3/4"
Stroke Length:	9"
Gear Type / Ratio:	Herringbone / 4.185:1
Pinion Shaft Diameter:	7"
Suction Flange:	10"
Discharge Flange:	5"
Valve and Valve Seat Model:	API No.6
Weight:	32,223 lbs
Length:	155.94"
Width:	61.73"
(W/O Strainer Block and Pulsation Dampener)	
Height (W/O Pulsation Dampener):	65.24"

F-800 Mud Pump Sizes and Ratings

Liner size			Displacement				Maximum Pressure		Pump SPM	Input HP
Dia.	Stroke		Per Stroke		Per Minute		Psi	MPa		
in.	in.	mm	Gal.	Lit.	Gal.	Lit.				
6-3/4	9	229	4.06	15.4	607	2307	1972	13.6	150	800
6-1/2			3.59	13.6	538	2044	2233	15.4		
6-1/4			3.15	12.0	473	1797	2537	17.5		
6			2.76	10.5	412	1566	2915	20.1		
5-1/2			2.37	9.0	355	1349	3378	23.3		
5			2.03	7.7	302	1148	3958	27.3		
4-1/2			1.69	6.4	254	965	4712	32.5		

Note: Mechanical Efficiency 90%; Volumetric Efficiency 100%

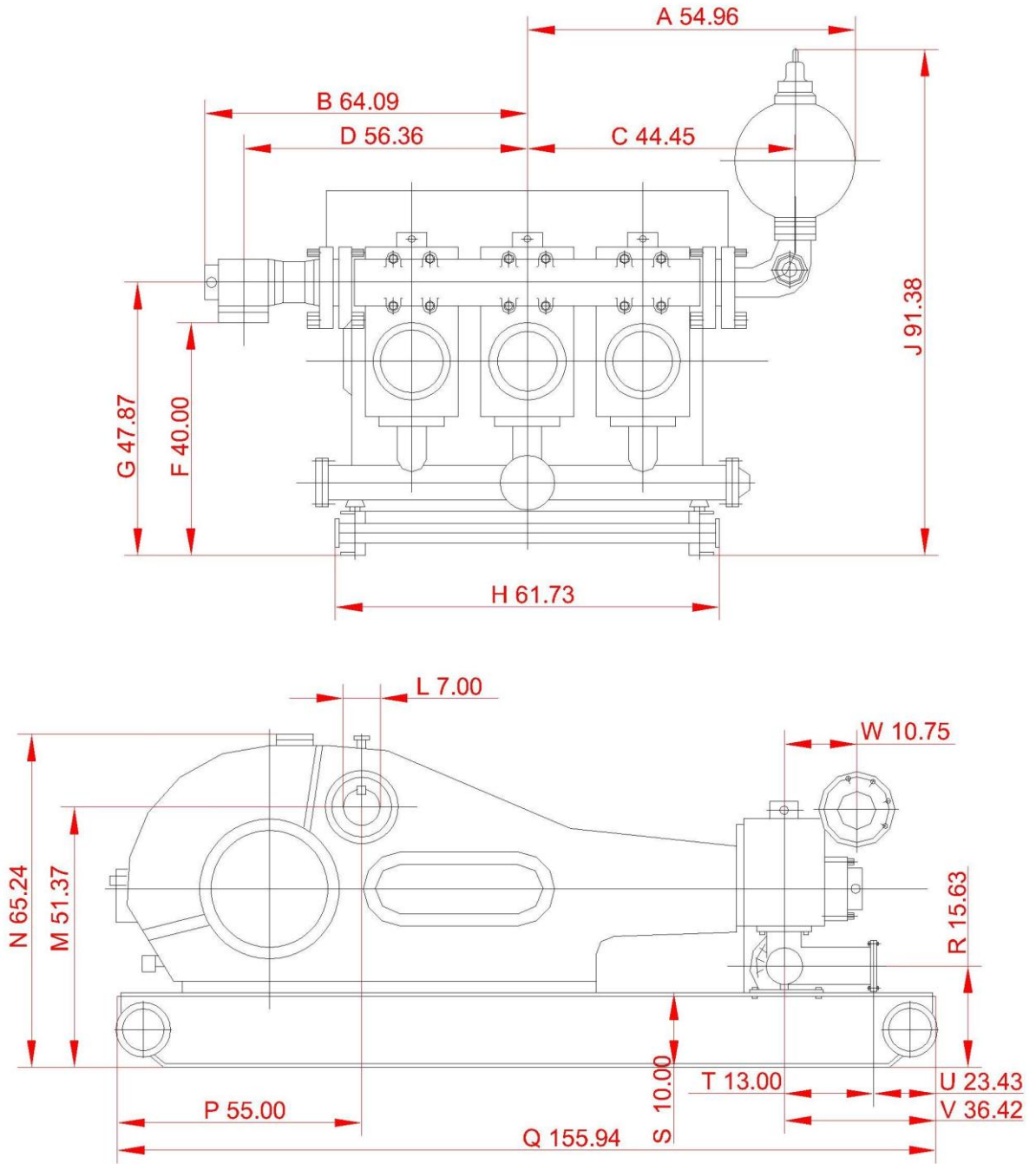
2. Key Features

- A. Every mud pump is fabricated with a high strength, heat treated steel frame;
- B. Pinions, gears, crankshafts and fluid end modules are made from high strength, heat treated alloy steel;
- C. TFI can provide complete pump packages, including prime movers, controls, manifolds, piping, and accessories;
- D. The cross heads and guides are wear resistant and replaceable;
- E. The suction stabilizers are included in all units;
- F. Internal gear pump provides positive pressure lubrication to power end;
- G. TFI mud pumps are rated for 24 hour-a-day continuous duty;
- H. Complete range of replacement parts is available in our service facility at Brookshire, TX.;

3. Scope of Supply

- A. F-800 Mud Pump × 1 set;
- B. Pistons and Liners × 3 sets;
- C. Accessory Manifold × 1 set;
- D. KB45 Pulsation Dampener × 1 set;
- E. Discharge Assembly and Strainer Block × 1 set;
- F. Shear Relief Valve × 1 set;
- G. Liner Wash System × 1 set;
- H. Fittings × 1 set;
- I. Operation manuals, Parts List and Certificates × 1 set;
- J. Optional-Recommended Spare Parts;

4. Overall Dimension Schematic
 (Measurements are in inches)



5. Recommended Spares List

No.	Model Number	Description	Specification	Qty.
1	TFI34001-12	Gasket		1
2	TFI36001-19 (2)	Gasket		2
3	TFI34001-14	Gasket		2
4	TFI34001-02.03	Gasket Main Brg. Caver		2
5	TFI34001-03.05	Gasket		2
6	TFI34001-03.06	Gasket		2
7	TFI34001-03.10A	Oil Seal	7.625" × 9.125" × 0.625"	2
8	GB3452.1-82	O-Ring	Dia.160 × 3.55	3
9	TFI34001-04.06A	Sealing Ring		3
10	TFI34001-04.07	Fluid Baffle Disk		3
11	TFI34001-04.08	Crosshead Extension		3
12	TFI34001-04.11	Crosshead Guide	Lower	3
13	GB3452.1-82	O-Ring	Dia.128 × 7	3
14	TFI34001-04.15	Locking Spring		3
15	GB3452.1-82	O-Ring	Dia.103 × 5.3	3
16	TFI34001-04.19	Plate Gasket		3
17	TFI33001-05.04	Liner Seal		3
18	GB3452.1-82	O-Ring	Dia.97.5 × 3.55	3
19	TFI33001-05.09	Valve Cover Seal		3
20	TFI33001-05.12	Valve Guide		3
21	TFI33001-05.13.00	Spring Guide		3
22	TFI33001-05.16A	Valve Spring		12
23	TFI33001-05.17A.00	Valve Assy.		6
24	GB3452.1-82	O-Ring	41.2×3.55	3
25	TFI35001-05.16.00	Copper Pipe	Dia. 6	3
26	JB1887-77 C-10×1W-550	Hose	Φ10×Φ20	3
27	TFI34007-05.03.00	Pipe Connector	1/8"	3
28	TFI33001.05.25.00	Connector	Dia.10 × Dia.20	3
29	TFI33001-05.26A	Joint Elbow	NPT ¹ / ₄ -M18 × 1.5	3



30	TFI33001-05.28A	Connector	NPT ¹ / ₄ -M18 × 1.5	3
31	TFI33001-05.29	Joint 90		3
32	TFI33001-05.30	Locking Clip		3
33	TFI33001-05.31.00	Valve Guide		3
34	24GB97.1-85	O-Ring		3
35	GB3452.1-82	O-Ring	Dia.290 × 7	2
36	Q/ZB251-77	Hose Holder	1-3/4	3
37	GB3452.1-82	O-Ring	Dia.185 × 7	3
38	GB1171-74	V-Belt		2
39		Hose	Dia.22 × Dia.37	1
40	GB3452.1-82	O-Ring	Dia.165 × 7	1
41	T58-5002	Ring Gasket		3
42	T58-5001	Sealing Ring	39	1
43	TFI34002-01.00	Bladder		1
44	TFI33003-13	Shear Pin		6

6. Product Picture

